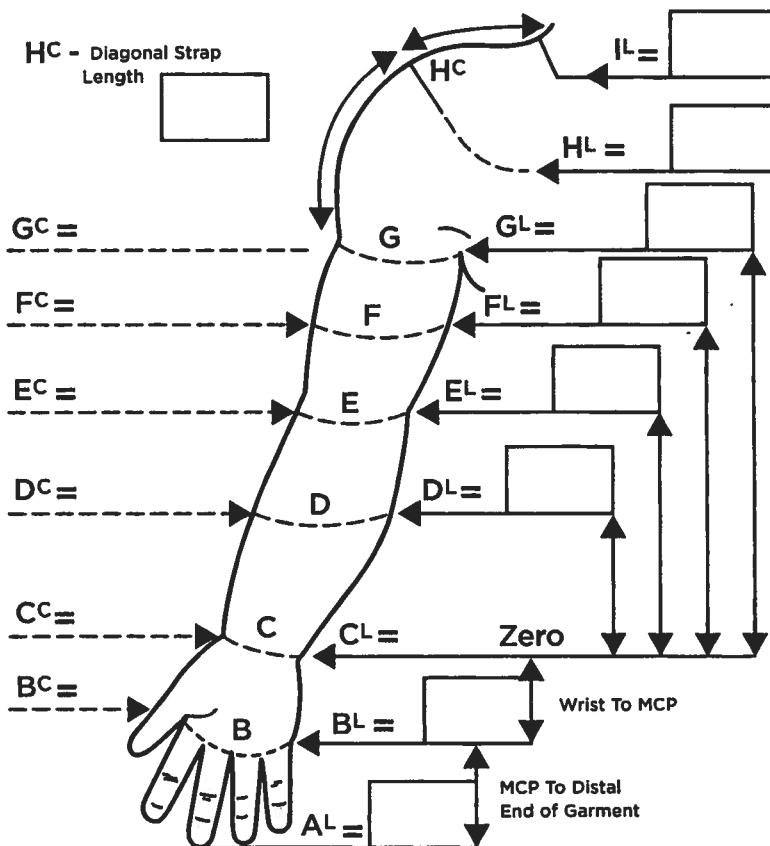


Please Measure in Centimeters

C = Circumference

L = Length

SHIP TO:	
Attn:	
Street:	
City:	
State:	Zip:
Telephone:	
Fax:	
E-Mail for Shipping Notification:	
BILL TO:	
Attn:	
Street:	
City:	
State:	Zip:
Telephone:	
Fax:	
<input type="checkbox"/> PO # _____	<input type="checkbox"/> Insurance Direct
<input type="checkbox"/> CC # _____	Exp ____ / ____



If we have a question, whom should we contact?

SUPINE STANDING LEFT RIGHT

Contact Phone #:

Client Name or Order Reference #:

DX 457.1 457.0 Other _____

Age _____ Height _____ Weight _____

For Solaris Internal Usage:

QTY	UNIT	PRICE
	Garment Code: UE-	
	Outer Jacket	
	Variable Compression Jacket	
	Zipper (on Tribute only)	
	Velcro <input type="checkbox"/> MO-V1 <input type="checkbox"/> MO-V2 <input type="checkbox"/> MO-V3	
	Digit Spacers (include hand order form)	
	Pull Up Loops (on Tribute only)	
	Easy Slide Application Aid	
	Priority Production Fee	
Fabric Option	<input type="checkbox"/> Tribute _____ <input type="checkbox"/> Outer Jacket _____	
Shipping	<input type="checkbox"/> Business Ground <input type="checkbox"/> 2nd Day <input type="checkbox"/> Residential Ground <input type="checkbox"/> Overnight	
TOTAL:		

Comments: _____

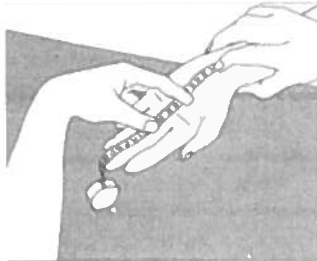
Measuring Guidelines for Arm Garments

Positioning Your Client When Measuring for Arm Garments

Tribute garments are most commonly worn while the client is sleeping, therefore, take the measurements with the client in supine position, if possible. Indicate on the order form which measuring position you chose.

Measuring Lengths:

With the client in supine position, the arm lying next to the trunk, measure the length of the limb. Use a water based marker to indicate the length reference point on the skin according to the following suggested procedure:



A to B length: Measure with palm up, from the digit crease (MCP) to the fingertip of the third digit (middle finger).

B to C length: With the palm up, position the tape measure with zero at the wrist crease; measure the length to the base of the third digit (MCP of middle finger).

C to D length: With the tape measure placed with zero (0) at the wrist crease, measure the length to the D point (typically the largest girth point of the forearm). Using a water based marker dot this point of the arm.

C to E length: Continue to measure from the wrist C to the medial elbow crease E with the elbow in slight flexion (10° to 20°). Using a water based marker dot this point of the arm.

C to F length: Measure from the wrist to the F point (typically the largest girth point of the upper arm). Dot this point with a water based marker.



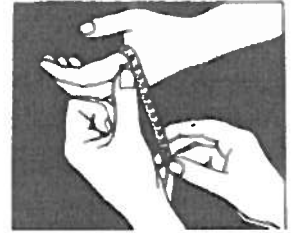
C to G length: Measure from the wrist to the axilla. (Place a pencil or dowel in the armpit as a visual guide.) Abducting the arm during this length measurement will result in a garment that is too long. Measuring with shoulder flexion will result in a garment that is too short.

G to H length: The standard lateral shoulder cap is 10cm longer than the medial length. To customize this length and for I length garments, measure from lateral G to AC joint.

H to I length: Measure from AC joint to high point shoulder (HPS) or base of neck for I length garments.

Measuring Circumference:

Note: Record all circumference measurements on the left side of the measuring chart on the Arm Order Form.



- B:** Measure the circumference of the palm across the MCP's with the hand in NEUTRAL posture, simulating the posture of the hand when a person is sleeping.
- C:** Measure the circumference of the wrist over the styloids.
- D:** Measure the circumference of the forearm where you have dotted the skin.
- E:** Measure the girth with the elbow in slight flexion (10° to 20°). Use the medial elbow crease and mid-olecranon process as your reference points.
- F:** Measure the circumference of the upper arm at the marker dot. If the arm tends to be fleshy, you have the option of recording the girth as a range. Record the girth measurement with the tape pulled taut and the girth measurement with the tape measure laid on the tissue (i.e. 36 cm to 39 cm).
- G:** Measure the girth at the level of the axilla, STRAIGHT ACROSS. Be careful not to angle the tape measure proximally on the lateral side of the arm.
- H:** Measure diagonal girth from anterior AC around the torso to posterior AC.

Customized Modifications for Tribute Arm Garments

MO-ZP: Zipper is placed from the thenar eminence to mid-bicep. The garment is closed at the proximal and distal end to make it easier for the client to zip the garment closed.

MO-FS: Digit Spacers similar to the ones used in Tribute glove units will be added to the UE-AG garments. Complete both the Hand Order Form and the Arm Order Form when ordering this modification.

MO-PL: Pull-up Loops may be added to the volar surface of the arm unit.

MO-V1, MO-V2, & MO-V3: Use the Comments Section to indicate the starting and ending points of the Velcro modifications.

UE-OJ: An Outer Jacket will be custom made to cover the entire garment, applying additional overall compression. Additional length is provided at the upper edge to allow the client to tuck the material in to prevent slippage.

UE-VCJ: Variable Compression Jackets allows therapist to adjust compression laterally. Zipper opening on medial aspect allows ease of use.